

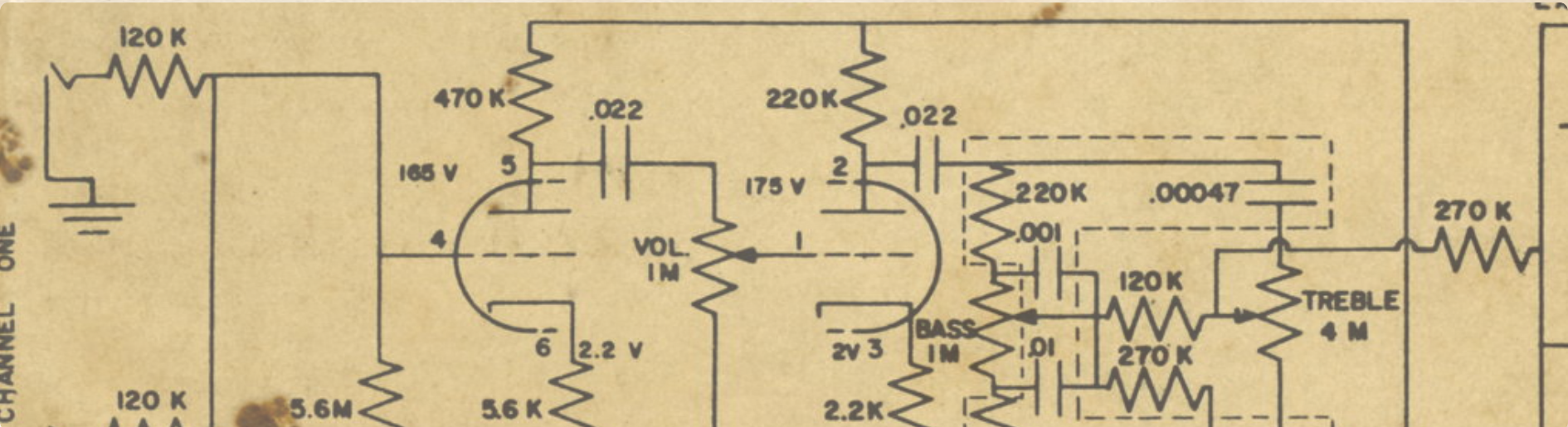
**KORNEFF**  
the other side of sound

PAWN SHOP COMP



**SPECIFICATIONS**

Type:	Compressor Amplifier
Gain:	56 db bridging 600 ohm line
Frequency Response:	±2.4 db, 30-15,000 cycles
Power Output:	+24 dbm (as straight amplifier)
Harmonic Distortion:	At 25 db of compression: Less than 9.4%, 35-15,000 cycles; At 30 db of compression: Less than 6.5%, 25-10,000 cycles; (0 db threshold setting)
Noise Level:	74 db below rated output (—111 dbm equivalent input noise)
Input Impedance:	15,000 ohms bridging transformer
Source Impedance:	Any
Load Impedance:	600 ohms
Maximum Compression:	100 db
Attack Time:	Adjustable: .001 to .1 seconds
Release Time:	Adjustable: .01 to .3 seconds (67% recovery)
Threshold:	Adjustable: 0 db to -100 db
Compression Ratio:	Adjustable: 2:1 to 20:1, with increment of 1
Power Supply:	117 volts, 60 cycles, 20 watts
Tubes:	12AX7, 6V6
Dimensions:	600px width, 400px height
Color:	Brown
Weight:	68MB Approx.



**Korneff Audio, Inc - 103 Otis Street - West Babylon, NY 11704**



